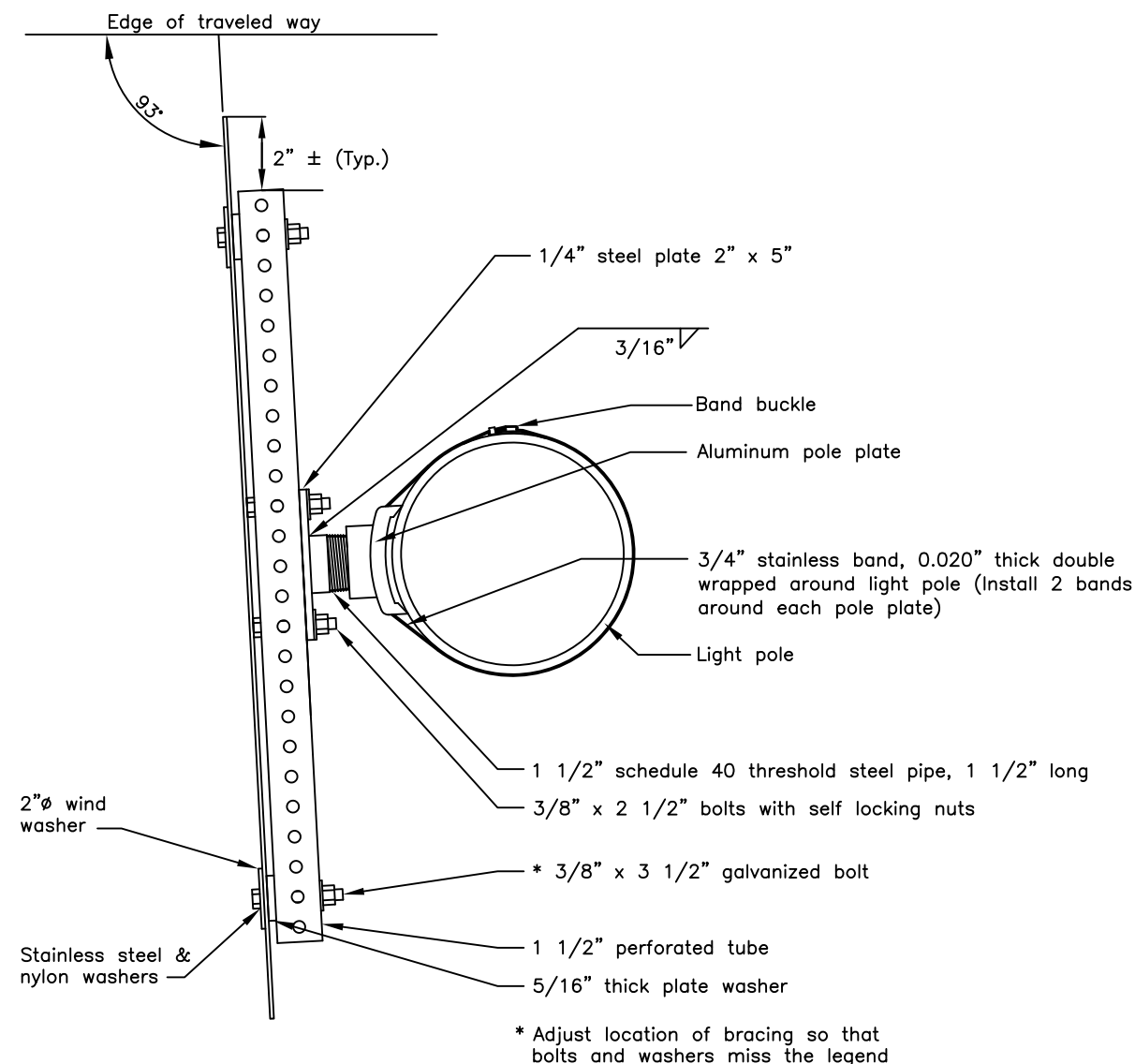


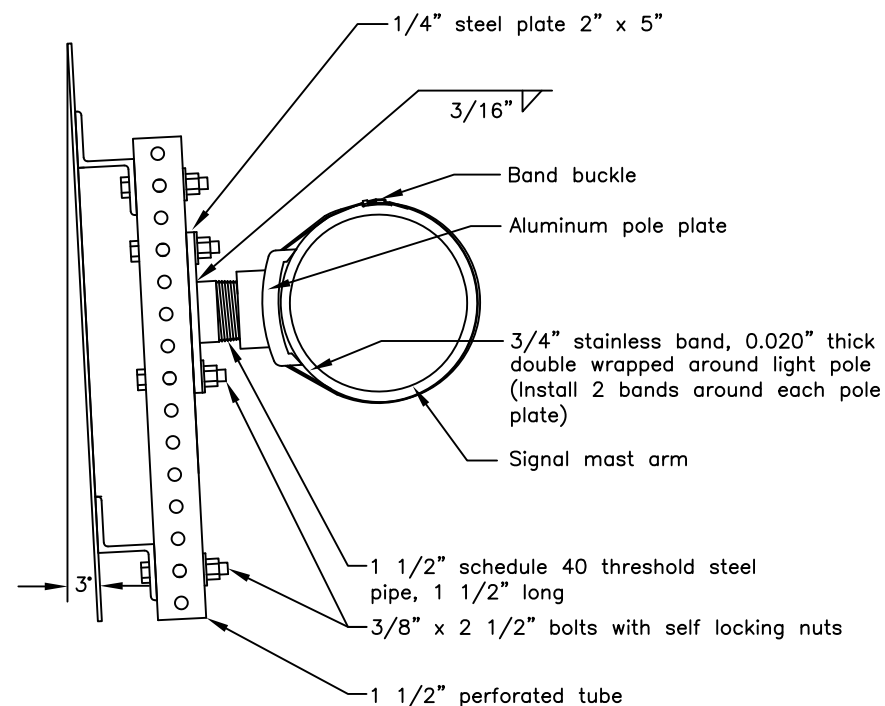
GENERAL NOTES

1. Use pole plate assemblies shown here to install signs on tapered mast arms and light poles. Install one pole plate per 10 square feet of sign panel. Use at least two plates for each installation.
 2. Fabricate each pole plate-to-perforated tube adapter (steel plate welded to pipe) using steel plate conforming to ASTM A36 and steel pipe conforming to ASTM A53. Paint these adapters in conformance with section 504 of the Standard Specifications for Highway Construction, latest edition.
 3. Paint the assemblies in accordance with AASHTO standard specification M69.
 4. Attach each pole plate with two bands of 3/4" wide by 0.020" thick stainless steel banding material. Double wrap each band and tighten it until the band stops moving through the buckle.
- Install bolts, nuts and washers conforming to
5. ASTM A325.

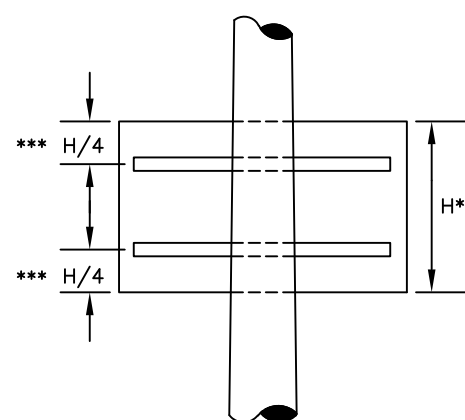
NO. OF POLE PLATES	OVERHANG	BETWEEN POLE PLATES	OVERHANG
2	0.2W	1 SPACE AT 0.6W	2 0.2W
3	0.15W	SPACES AT 0.35W	3 0.15W
4	0.125W	SPACES AT 0.25W	1 0.125W
5	0.2W	SPACE AT 0.6W	0.2W



ELECTROLIER SIGN MOUNTING
(PLAN VIEW)

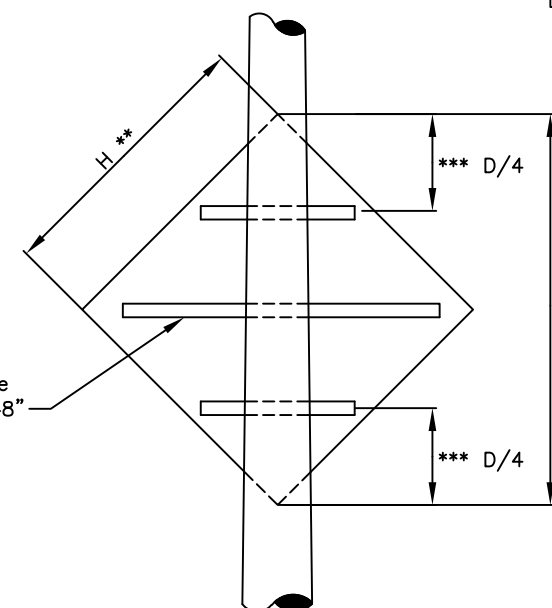
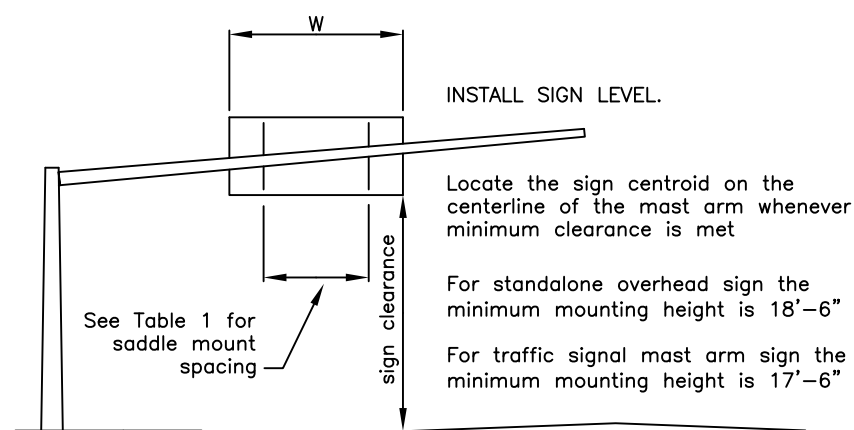


SIGNAL POLE MAST ARM SIGN MOUNTING
(ELEVATION VIEW)



1 1/2" PT brace only when H ≤ 48"

- ** Use two pole plates when H ≤ 48" use three pole plates when H > 48"
- *** When sign panels features predrilled mountings holes, use them to attach the perforated tubes



State of Alaska DOT&PF
ALASKA STANDARD PLAN
POLE AND MASTARM
SIGN MOUNTING

Adopted as an Alaska Standard Plan by: *Kenneth J. Fisher*
Kenneth J. Fisher, P.E.
Chief Engineer

Adoption Date: 02/08/2019

Last Code and Stds. Review By: Date:

Next Code and Standards Review date: 02/08/2029