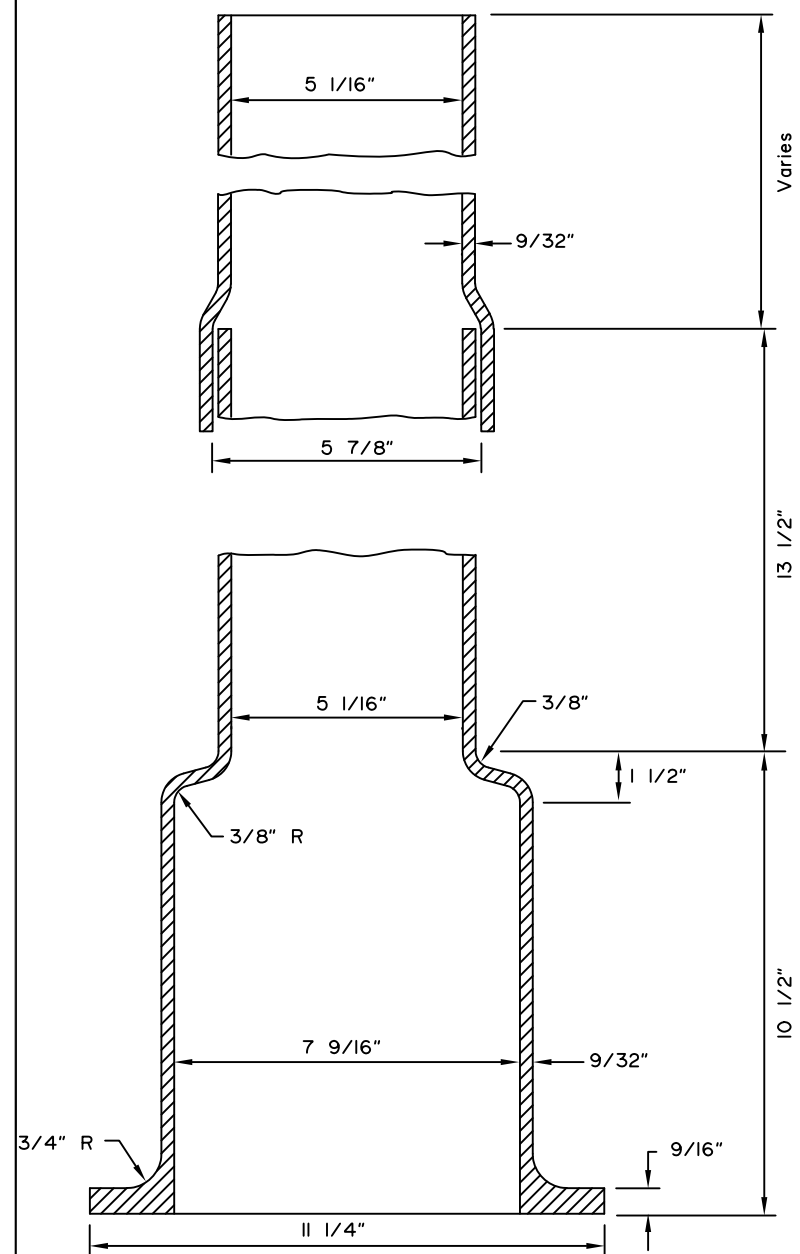
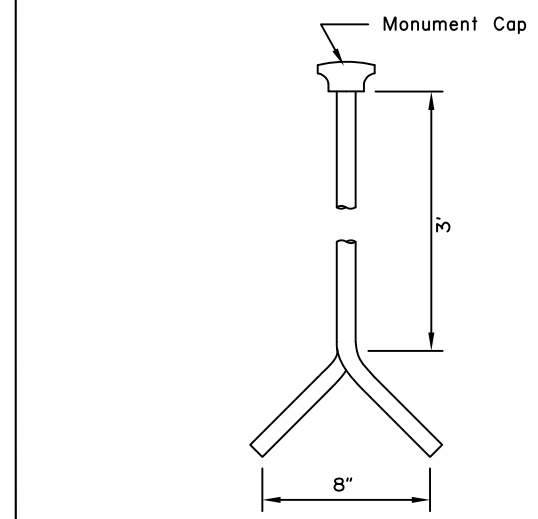


GENERAL NOTES:

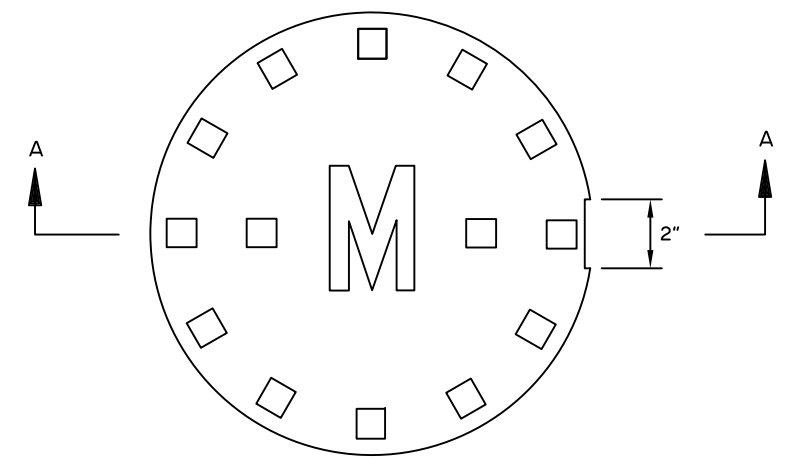
1. Details shown are to indicate general design only. Dimensions and design may vary among the manufacturers.
2. Where monument cases are to be placed in paved area of a roadway or sidewalk, the top of the case and/or cover shall be the same elevation as the top of the finish surface with bolting type access cover.
3. Where monument cases are to be placed in a gravel surfaced roadway, the top of the case shall be placed 1'-0" below the top of the surface of the roadway.
4. In solid rock, drill a 2" Dia. hole a minimum of 1'-0" deep, fill with mortar and set cap. 3/4"x9" galvanized pipe, designated length when set in mortar.
5. The top of the monument cap shall be placed 1' above the bottom of the monument case.



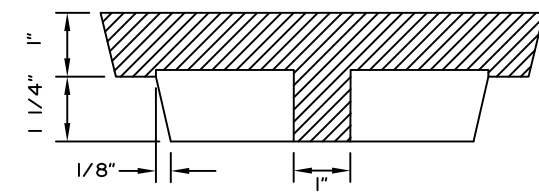
EXTENSION PIPES



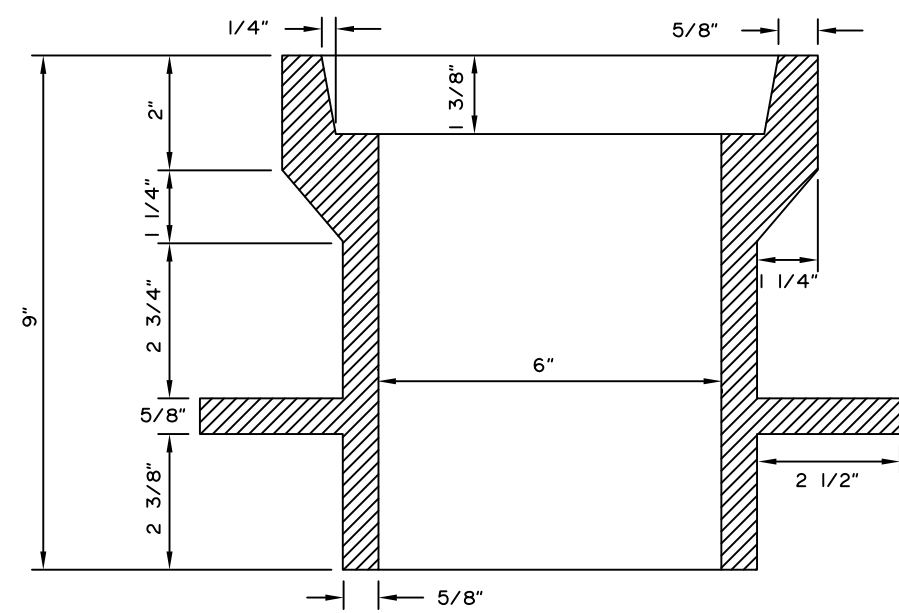
MONUMENT DETAIL



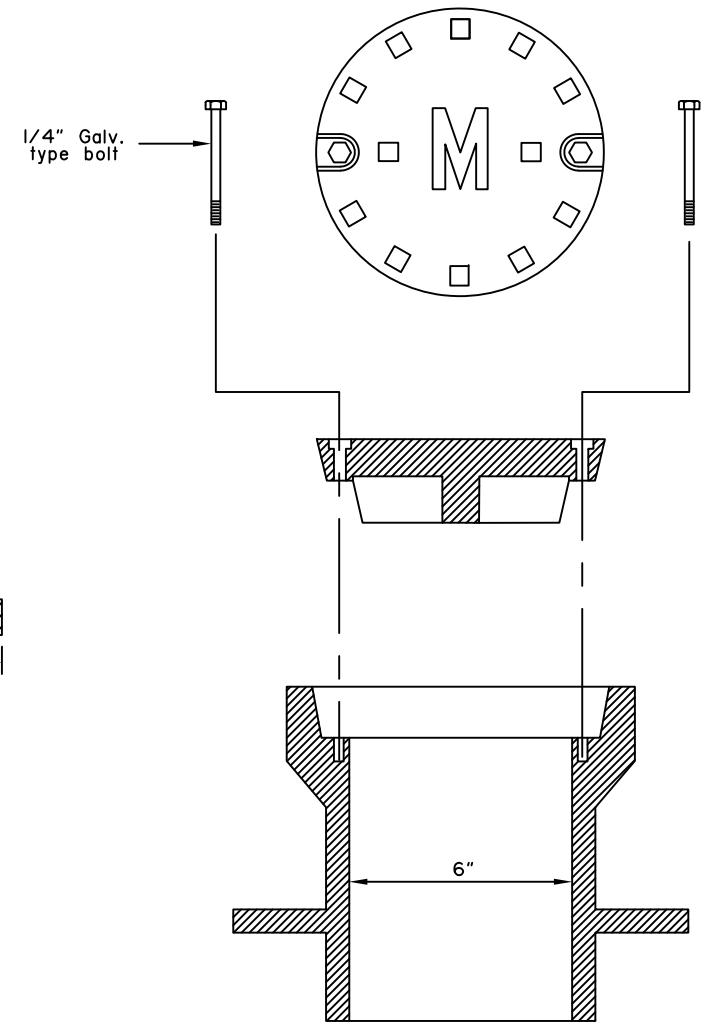
PLAN VIEW ACCESS COVER



SECTION A-A



MONUMENT CASE



BOLTING MONUMENT CASE ASSEMBLY  
(See Note 2)

State of Alaska DOT&PF  
ALASKA STANDARD PLAN  
BRASS CAP MONUMENT  
AND MONUMENT CASE

Adopted as an Alaska  
Standard Plan by: *Kenneth J. Fisher*  
Kenneth J. Fisher, P.E.  
Chief Engineer

Adoption Date: 02/08/2019

Last Code and Stds. Review  
By: Date:  
Next Code and Standards Review date: 02/08/2029