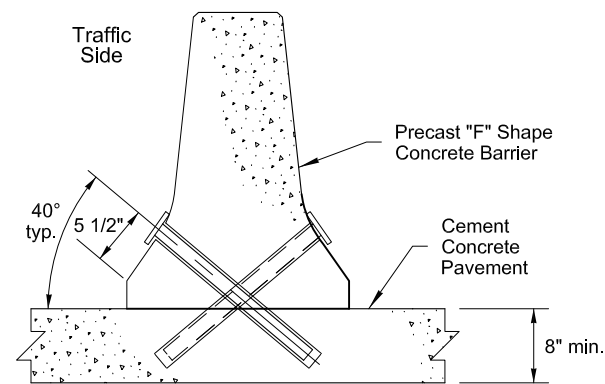
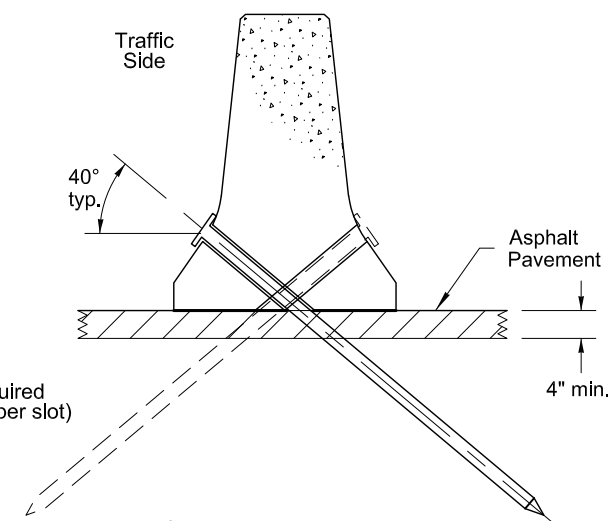


**ANCHOR PIN SLOT LOCATIONS**

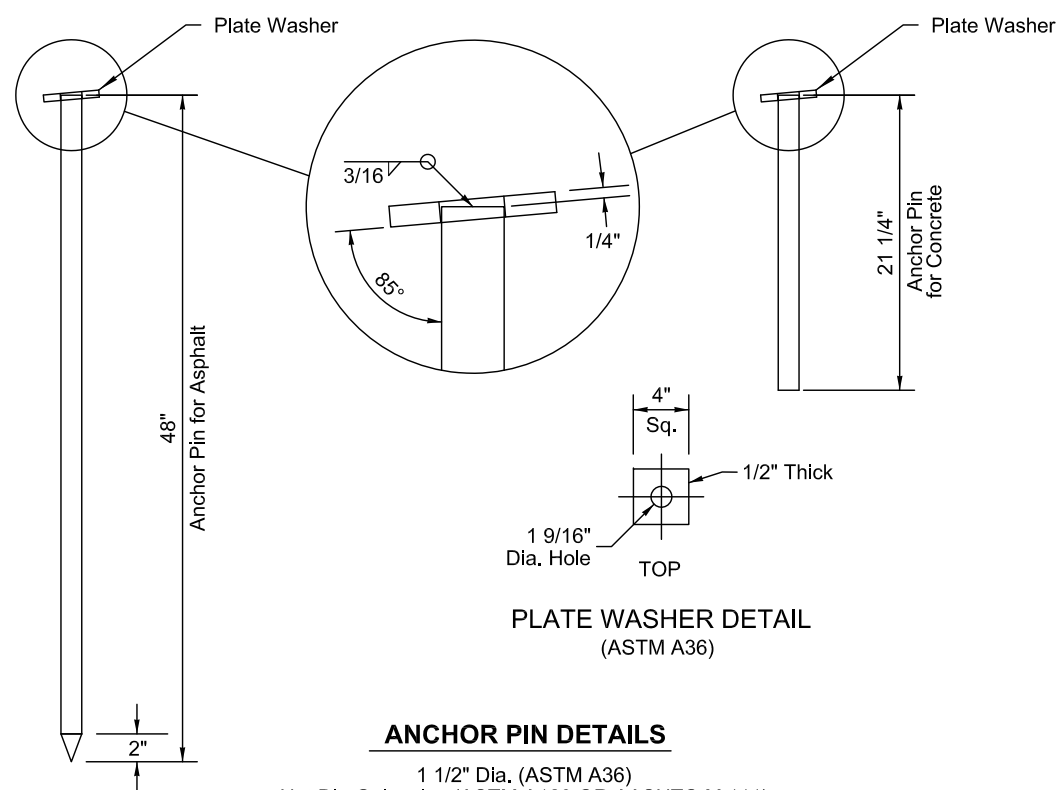
Reinforcing steel not shown for clarity



**CONCRETE ANCHOR PIN DETAILS**

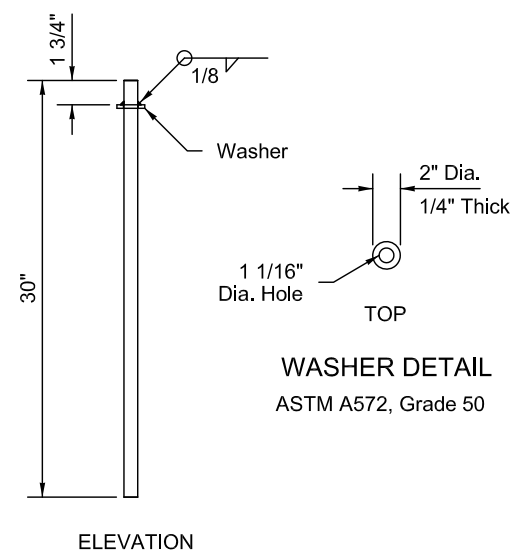


**ASPHALT PAVEMENT ANCHOR PIN LOCATIONS**



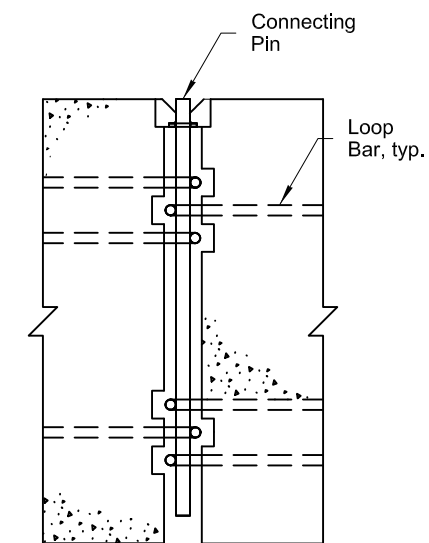
**ANCHOR PIN DETAILS**

1 1/2" Dia. (ASTM A36)  
Hot Dip Galvanize (ASTM A123 OR AASHTO M 111)



**CONNECTING PIN DETAILS**

1" Dia. - ASTM A449  
Hot Dip Galvanize



**BARRIER CONNECTION DETAIL**

**CONSTRUCTION NOTES**

1. When this barrier is used as a temporary traffic control device, provide retroreflective tabs or stripes meeting the requirements of Section 643 of the Standard Specifications.
2. When this barrier is used in a permanent application, provide reflector assemblies meeting the requirements of Section 614 of the Standard Specifications.

Note: Drawing not to scale

State of Alaska DOT&PF  
ALASKA STANDARD PLAN

**MASH "F" SHAPE  
CONCRETE BARRIER**

Adopted as an Alaska Standard Plan by: *Carolyn Morehouse*  
Carolyn Morehouse, P.E.  
Chief Engineer

Adoption Date: 07/17/2020

Last Code and Stds. Review  
By: LRG Date: 07/17/2020  
Next Code and Standards Review date: 07/17/2030